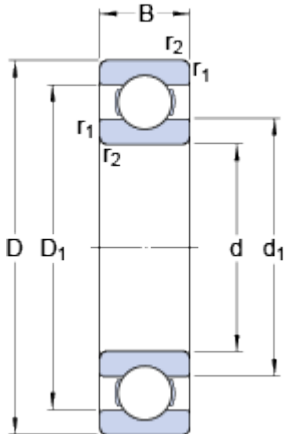


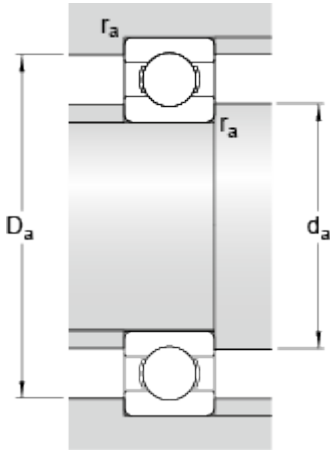
6410

Dimensions



d	50	mm
D	130	mm
B	31	mm
d ₁	≈ 75.46	mm
D ₁	≈ 104.25	mm
r _{1,2}	min. 2.1	mm

Abutment dimensions



d _a	min.	64	mm
D _a	max.	116	mm
r _a	max.	2	mm

Calculation data

Basic dynamic load rating	C	87.1	kN
Basic static load rating	C	52	kN
Fatigue load limit	P _u	2.2	kN
Reference speed		12000	r/min
Limiting speed		7500	r/min
Calculation factor	k _r	0.035	
Calculation factor	f	12.2	

Mass

Mass bearing		1.94	kg
--------------	--	------	----