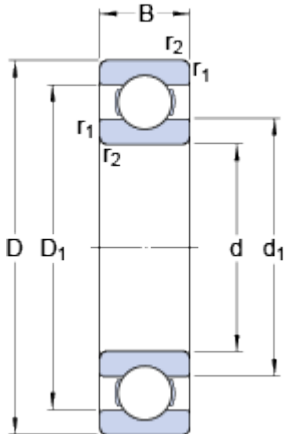


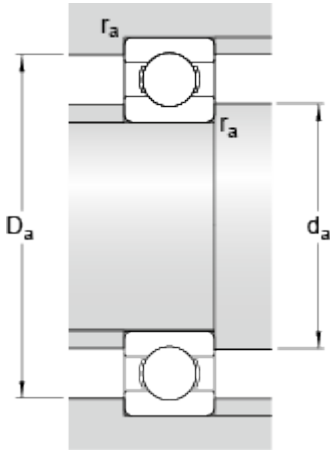
# 6409

## Dimensions



$d$		45	mm
$D$		120	mm
$B$		29	mm
$d_1$	≈	68.91	mm
$D_1$	≈	95.85	mm
$r_{1,2}$	min.	2	mm

## Abutment dimensions



$d_a$	min.	58	mm
$D_a$	max.	107	mm
$r_a$	max.	2	mm

## Calculation data

Basic dynamic load rating	C	76.1	kN
Basic static load rating	C	45	kN
Fatigue load limit	$P_u$	1.9	kN
Reference speed		13000	r/min
Limiting speed		8500	r/min
Calculation factor	$k_r$	0.035	
Calculation factor	f	12.1	

## Mass

Mass bearing		1.57	kg
--------------	--	------	----