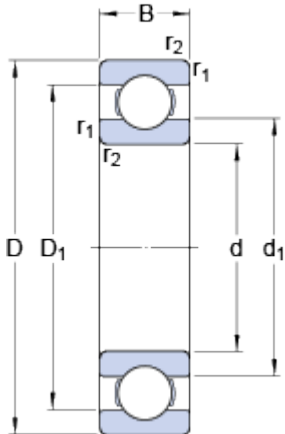


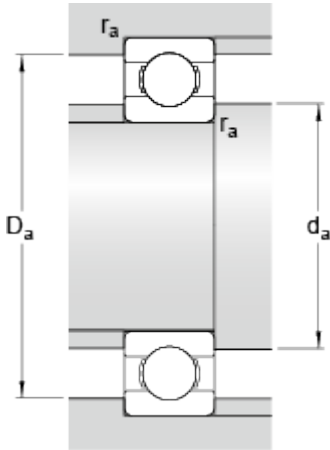
6408

Dimensions



d		40	mm
D		110	mm
B		27	mm
d_1	≈	62.84	mm
D_1	≈	86.95	mm
$r_{1,2}$	min.	2	mm

Abutment dimensions



d_a	min.	53	mm
D_a	max.	97	mm
r_a	max.	2	mm

Calculation data

Basic dynamic load rating	C	63.7	kN
Basic static load rating	C	36.5	kN
Fatigue load limit	P_u	1.53	kN
Reference speed		14000	r/min
Limiting speed		9000	r/min
Calculation factor	k_r	0.035	
Calculation factor	f	12.2	

Mass

Mass bearing		1.26	kg
--------------	--	------	----