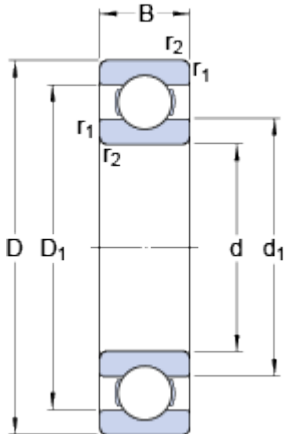


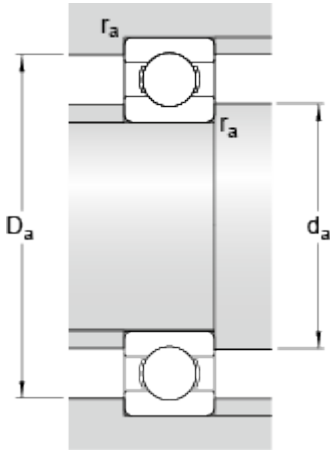
6406

Dimensions



d		30	mm
D		90	mm
B		23	mm
d ₁	≈	50.34	mm
D ₁	≈	69.65	mm
r _{1,2}	min.	1.5	mm

Abutment dimensions



d _a	min.	41	mm
D _a	max.	79	mm
r _a	max.	1.5	mm

Calculation data

Basic dynamic load rating	C	43.6	kN
Basic static load rating	C	23.6	kN
Fatigue load limit	P _u	1	kN
Reference speed		18000	r/min
Limiting speed		11000	r/min
Calculation factor	k _r	0.035	
Calculation factor	f	12.1	

Mass

Mass bearing		0.75	kg
--------------	--	------	----