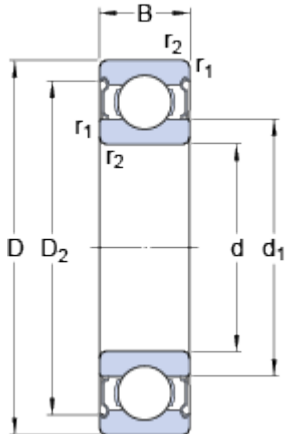


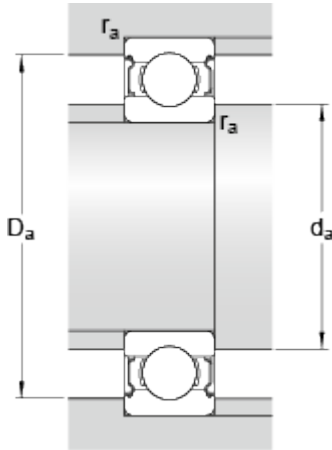
# 634-2Z

## Dimensions



d		4	mm
D		16	mm
B		5	mm
d <sub>1</sub>	≈	8.4	mm
D <sub>2</sub>	≈	13.3	mm
r <sub>1,2</sub>	min.	0.3	mm

## Abutment dimensions



d <sub>a</sub>	min.	6.4	mm
d <sub>a</sub>	max.	8.3	mm
D <sub>a</sub>	max.	13.6	mm
r <sub>a</sub>	max.	0.3	mm

## Calculation data

Basic dynamic load rating	C	1.11	kN
Basic static load rating	C	0.38	kN
Fatigue load limit	P <sub>u</sub>	0.016	kN
Reference speed		95000	r/min
Limiting speed		48000	r/min
Calculation factor	k <sub>r</sub>	0.03	
Calculation factor	f	8.4	

## Mass

Mass bearing		0.0054	kg
--------------	--	--------	----