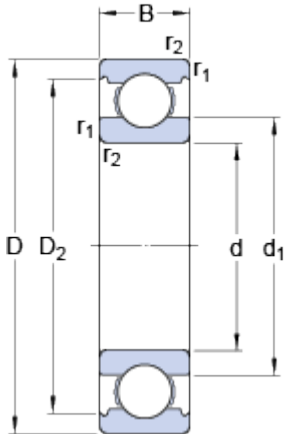


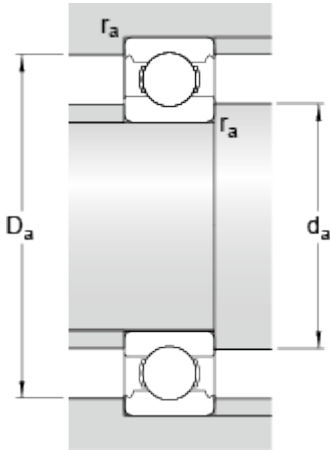
# 6320

## Dimensions



d		100	mm
D		215	mm
B		47	mm
d <sub>1</sub>	≈	135.85	mm
D <sub>2</sub>	≈	183.8	mm
r <sub>1,2</sub>	min.	3	mm

## Abutment dimensions



d <sub>a</sub>	min.	114	mm
D <sub>a</sub>	max.	201	mm
r <sub>a</sub>	max.	2.5	mm

## Calculation data

Basic dynamic load rating	C	174	kN
Basic static load rating	C	140	kN
Fatigue load limit	P <sub>u</sub>	4.75	kN
Reference speed		6700	r/min
Limiting speed		4300	r/min
Calculation factor	k <sub>r</sub>	0.03	
Calculation factor	f	13.2	

## Mass

Mass bearing		7.08	kg
--------------	--	------	----