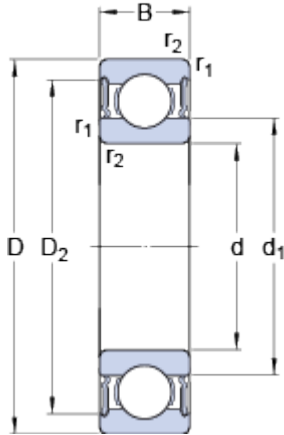


6318-2RS1

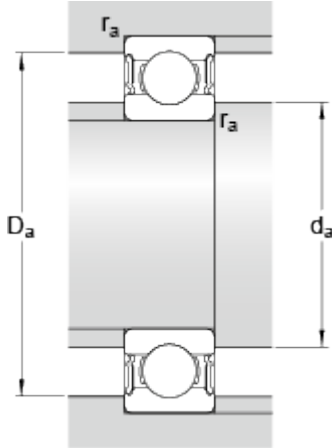
SKF Explorer

Dimensions



d	90	mm
D	190	mm
B	43	mm
d ₁	≈ 121.15	mm
D ₂	≈ 163.9	mm
r _{1,2}	min. 3	mm

Abutment dimensions



d _a	min.	104	mm
d _a	max.	120.9	mm
D _a	max.	176	mm
r _a	max.	2.5	mm

Calculation data

Basic dynamic load rating	C	151	kN
Basic static load rating	C	108	kN
Fatigue load limit	P _u	3.8	kN
Limiting speed		2400	r/min
Calculation factor	k _r	0.03	
Calculation factor	f	13.3	

Mass

Mass bearing	5.09	kg
--------------	------	----