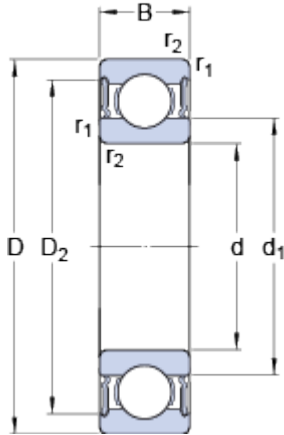


6317-2RS1

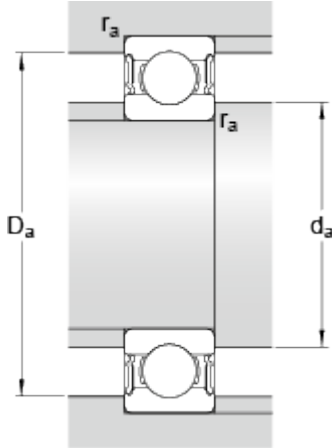
SKF Explorer

Dimensions



d	85	mm
D	180	mm
B	41	mm
d ₁	≈ 114.55	mm
D ₂	≈ 155.4	mm
r _{1,2}	min. 3	mm

Abutment dimensions



d _a	min.	99	mm
d _a	max.	114.9	mm
D _a	max.	166	mm
r _a	max.	2.5	mm

Calculation data

Basic dynamic load rating	C	140	kN
Basic static load rating	C	96.5	kN
Fatigue load limit	P _u	3.55	kN
Limiting speed		2400	r/min
Calculation factor	k _r	0.03	
Calculation factor	f	13.3	

Mass

Mass bearing	4.36	kg
--------------	------	----