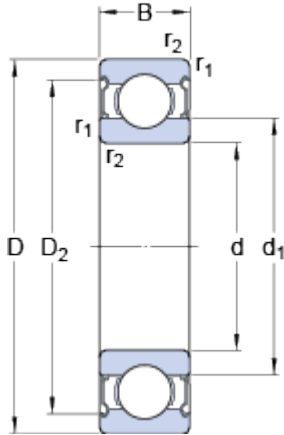


# 6316-2Z

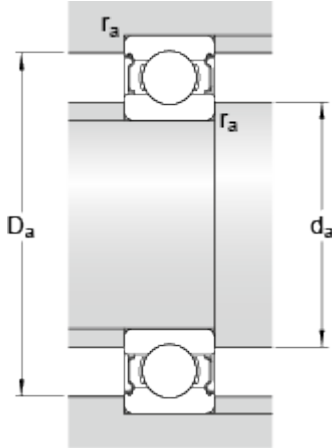
SKF Explorer

## Dimensions



d		80	mm
D		170	mm
B		39	mm
d <sub>1</sub>	≈	108	mm
D <sub>2</sub>	≈	146.9	mm
r <sub>1,2</sub>	min.	2.1	mm

## Abutment dimensions



d <sub>a</sub>	min.	92	mm
d <sub>a</sub>	max.	107.9	mm
D <sub>a</sub>	max.	158	mm
r <sub>a</sub>	max.	2	mm

## Calculation data

Basic dynamic load rating	C	130	kN
Basic static load rating	C	86.5	kN
Fatigue load limit	P <sub>u</sub>	3.25	kN
Reference speed		8500	r/min
Limiting speed		4300	r/min
Calculation factor	k <sub>r</sub>	0.03	
Calculation factor	f	13.3	

## Mass

Mass bearing		3.74	kg
--------------	--	------	----