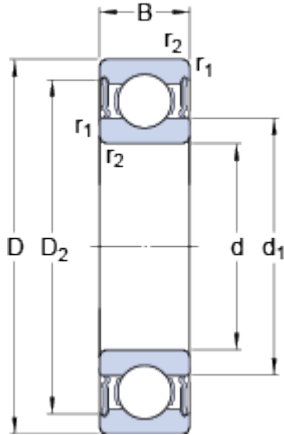


6311-2RS1

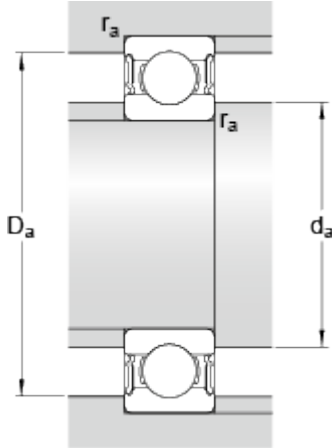
SKF Explorer

Dimensions



d		55	mm
D		120	mm
B		29	mm
d ₁	≈	75.34	mm
D ₂	≈	103.7	mm
r _{1,2}	min.	2	mm

Abutment dimensions



d _a	min.	66	mm
d _a	max.	75.2	mm
D _a	max.	109	mm
r _a	max.	2	mm

Calculation data

Basic dynamic load rating	C	74.1	kN
Basic static load rating	C	45	kN
Fatigue load limit	P _u	1.9	kN
Limiting speed		3800	r/min
Calculation factor	k _r	0.03	
Calculation factor	f	13.1	

Mass

Mass bearing		1.41	kg
--------------	--	------	----