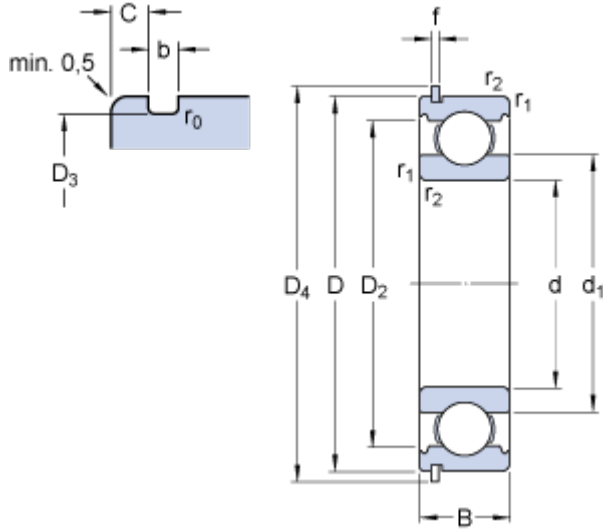


6310 NR

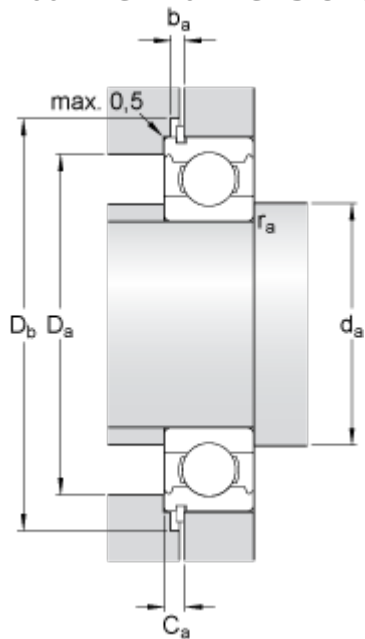
SKF Explorer

Dimensions



d	50	mm
D	110	mm
B	27	mm
d ₁	≈ 68.76	mm
D ₂	≈ 95.2	mm
D ₃	106.81	mm
D ₄	116.6	mm
b	2.7	mm
C	3.28	mm
f	2.46	mm
r	max. 0.6	mm
r _{1,2}	min. 2	mm

Abutment dimensions



d _a	min. 61	mm
D _a	max. 99	mm
D _b	min. 118	mm
b _a	min. 3	mm
C _a	max. 5.74	mm
r _a	max. 2	mm

Calculation data

Basic dynamic load rating	C	65	kN
Basic static load rating	C	38	kN
Fatigue load limit	P _u	1.6	kN
Reference speed		13000	r/min
Limiting speed		8500	r/min
Calculation factor	k _r	0.03	
Calculation factor	f	13	

Mass

Mass bearing	1.1	kg
--------------	-----	----

Included products

Snap ring

SP 110