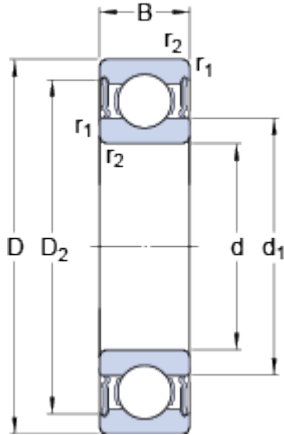


# 6309-2RS1

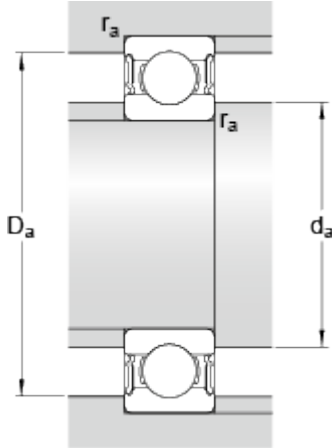
SKF Explorer

## Dimensions



d		45	mm
D		100	mm
B		25	mm
d <sub>1</sub>	≈	62.18	mm
D <sub>2</sub>	≈	86.7	mm
r <sub>1,2</sub>	min.	1.5	mm

## Abutment dimensions



d <sub>a</sub>	min.	54	mm
d <sub>a</sub>	max.	62.1	mm
D <sub>a</sub>	max.	91	mm
r <sub>a</sub>	max.	1.5	mm

## Calculation data

Basic dynamic load rating	C	55.3	kN
Basic static load rating	C	31.5	kN
Fatigue load limit	P <sub>u</sub>	1.34	kN
Limiting speed		4500	r/min
Calculation factor	k <sub>r</sub>	0.03	
Calculation factor	f	13	

## Mass

Mass bearing		0.86	kg
--------------	--	------	----