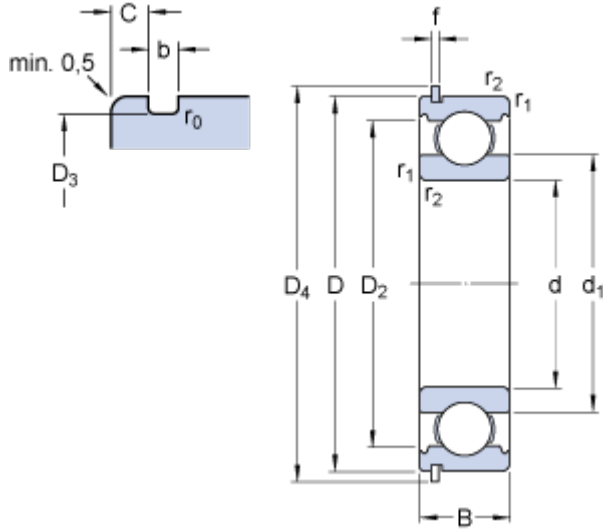


6308 NR

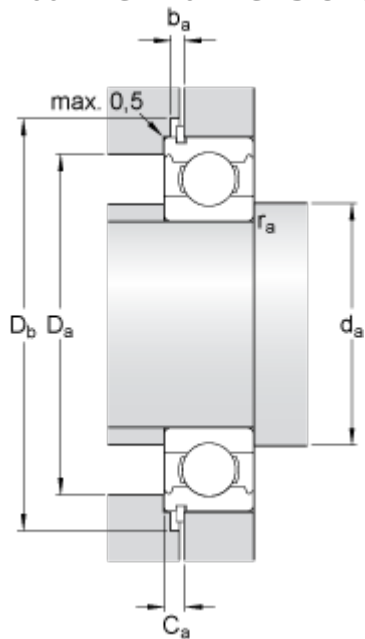
SKF Explorer

Dimensions



d		40	mm
D		90	mm
B		23	mm
d ₁	≈	56.11	mm
D ₂	≈	77.7	mm
D ₃		86.79	mm
D ₄		96.5	mm
b		2.7	mm
C		3.28	mm
f		2.46	mm
r	max.	0.6	mm
r _{1,2}	min.	1.5	mm

Abutment dimensions



d _a	min.	49	mm
D _a	max.	81	mm
D _b	min.	98	mm
b _a	min.	3	mm
C _a	max.	5.74	mm
r _a	max.	1.5	mm

Calculation data

Basic dynamic load rating	C	42.3	kN
Basic static load rating	C	24	kN
Fatigue load limit	P _u	1.02	kN
Reference speed		17000	r/min
Limiting speed		11000	r/min
Calculation factor	k _r	0.03	
Calculation factor	f	13	

Mass

Mass bearing		0.64	kg
--------------	--	------	----

Included products

Snap ring

SP 90