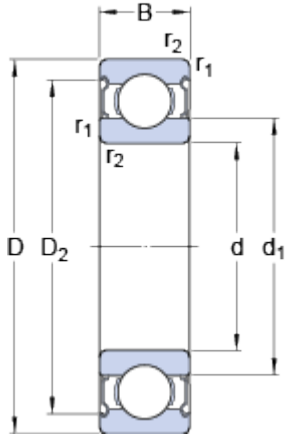


# 6308-2Z

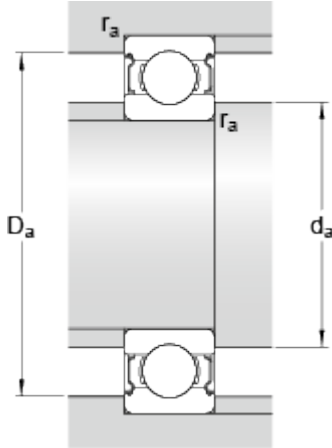
SKF Explorer

## Dimensions



d		40	mm
D		90	mm
B		23	mm
d <sub>1</sub>	≈	56.11	mm
D <sub>2</sub>	≈	77.7	mm
r <sub>1,2</sub>	min.	1.5	mm

## Abutment dimensions



d <sub>a</sub>	min.	49	mm
d <sub>a</sub>	max.	56	mm
D <sub>a</sub>	max.	81	mm
r <sub>a</sub>	max.	1.5	mm

## Calculation data

Basic dynamic load rating	C	42.3	kN
Basic static load rating	C	24	kN
Fatigue load limit	P <sub>u</sub>	1.02	kN
Reference speed		17000	r/min
Limiting speed		8500	r/min
Calculation factor	k <sub>r</sub>	0.03	
Calculation factor	f	13.2	

## Mass

Mass bearing		0.65	kg
--------------	--	------	----