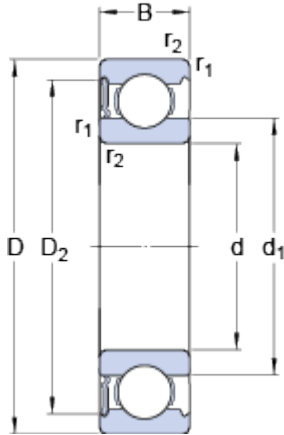


6307-RS1

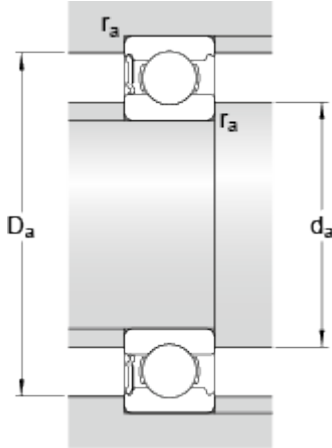
SKF Explorer

Dimensions



d		35	mm
D		80	mm
B		21	mm
d ₁	≈	49.56	mm
D ₂	≈	69.2	mm
r _{1,2}	min.	1.5	mm

Abutment dimensions



d _a	min.	44	mm
d _a	max.	49.5	mm
D _a	max.	71	mm
r _a	max.	1.5	mm

Calculation data

Basic dynamic load rating	C	35.1	kN
Basic static load rating	C	19	kN
Fatigue load limit	P _u	0.815	kN
Limiting speed		6000	r/min
Calculation factor	k _r	0.03	
Calculation factor	f	13.1	

Mass

Mass bearing		0.46	kg
--------------	--	------	----