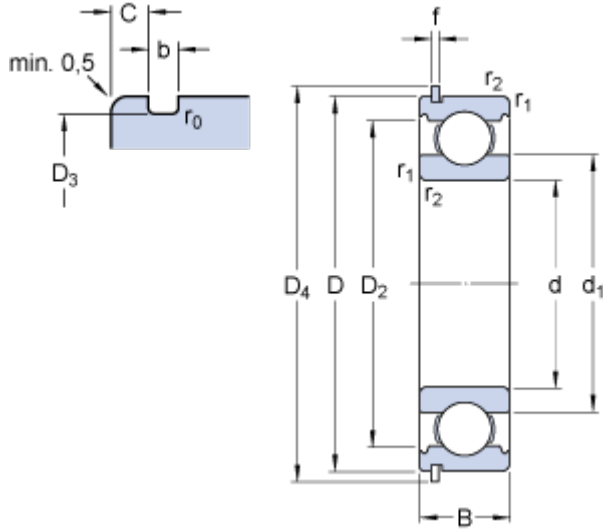


6306 NR

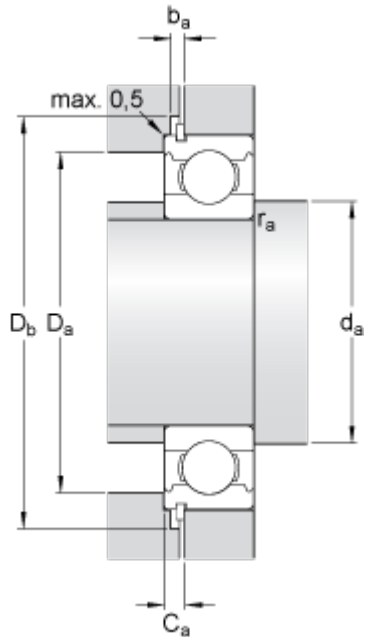
SKF Explorer

Dimensions



| | | | |
|------------------|------|-------|----|
| d | | 30 | mm |
| D | | 72 | mm |
| B | | 19 | mm |
| d ₁ | ≈ | 44.6 | mm |
| D ₂ | ≈ | 61.88 | mm |
| D ₃ | | 68.81 | mm |
| D ₄ | | 78.6 | mm |
| b | | 1.9 | mm |
| C | | 3.28 | mm |
| f | | 1.7 | mm |
| r | max. | 0.6 | mm |
| r _{1,2} | min. | 1.1 | mm |

Abutment dimensions



| | | | |
|----------------|------|------|----|
| d _a | min. | 37 | mm |
| D _a | max. | 65 | mm |
| D _b | min. | 80 | mm |
| b _a | min. | 2.2 | mm |
| C _a | max. | 4.98 | mm |
| r _a | max. | 1 | mm |

Calculation data

| | | | |
|---------------------------|----------------|-------|-------|
| Basic dynamic load rating | C | 29.6 | kN |
| Basic static load rating | C | 16 | kN |
| Fatigue load limit | P _u | 0.67 | kN |
| Reference speed | | 20000 | r/min |
| Limiting speed | | 13000 | r/min |
| Calculation factor | k _r | 0.03 | |
| Calculation factor | f | 13 | |

Mass

| | | | |
|--------------|--|------|----|
| Mass bearing | | 0.36 | kg |
|--------------|--|------|----|

Included products

Snap ring

SP 72