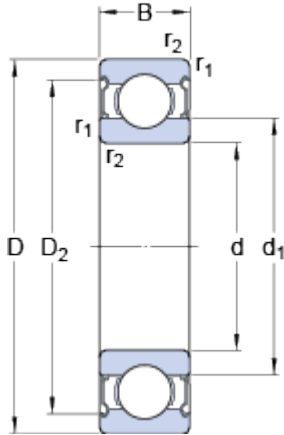


# 6306-2Z

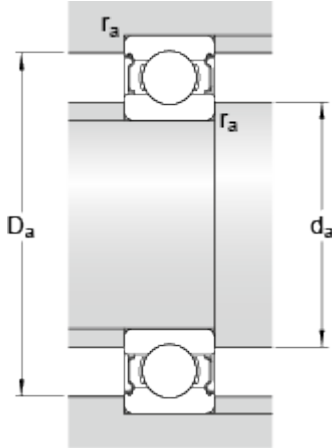
SKF Explorer

## Dimensions



d		30	mm
D		72	mm
B		19	mm
d <sub>1</sub>	≈	44.6	mm
D <sub>2</sub>	≈	61.88	mm
r <sub>1,2</sub>	min.	1.1	mm

## Abutment dimensions



d <sub>a</sub>	min.	37	mm
d <sub>a</sub>	max.	44.5	mm
D <sub>a</sub>	max.	65	mm
r <sub>a</sub>	max.	1	mm

## Calculation data

Basic dynamic load rating	C	29.6	kN
Basic static load rating	C	16	kN
Fatigue load limit	P <sub>u</sub>	0.67	kN
Reference speed		20000	r/min
Limiting speed		11000	r/min
Calculation factor	k <sub>r</sub>	0.03	
Calculation factor	f	13.1	

## Mass

Mass bearing		0.36	kg
--------------	--	------	----