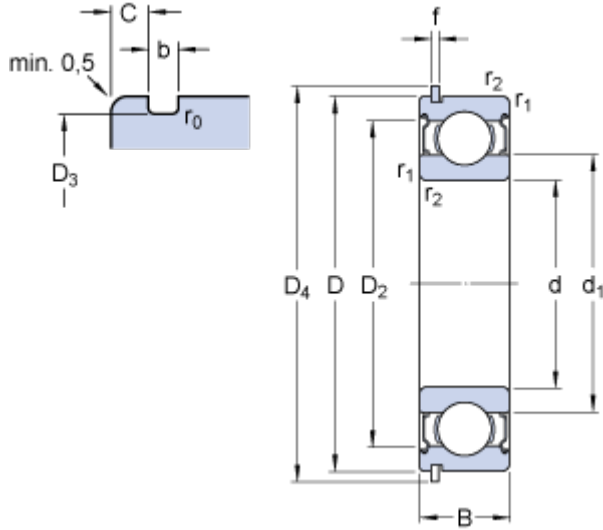


# 6306-2ZNR

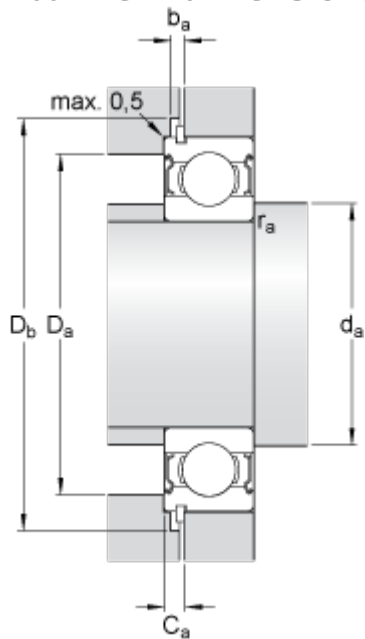
SKF Explorer

## Dimensions



d		30	mm
D		72	mm
B		19	mm
d <sub>1</sub>	≈	44.6	mm
D <sub>2</sub>	≈	61.88	mm
D <sub>3</sub>		68.81	mm
D <sub>4</sub>		78.6	mm
b		1.9	mm
C		3.28	mm
f		1.7	mm
r	max.	0.6	mm
r <sub>1,2</sub>	min.	1.1	mm

## Abutment dimensions



d <sub>a</sub>	min.	37	mm
d <sub>a</sub>	max.	44.5	mm
D <sub>a</sub>	max.	65	mm
D <sub>b</sub>	min.	80	mm
b <sub>a</sub>	min.	2.2	mm
C <sub>a</sub>	max.	4.98	mm
r <sub>a</sub>	max.	1	mm

## Calculation data

Basic dynamic load rating	C	29.6	kN
Basic static load rating	C	16	kN
Fatigue load limit	P <sub>u</sub>	0.67	kN
Reference speed		20000	r/min
Limiting speed		11000	r/min
Calculation factor	k <sub>r</sub>	0.03	
Calculation factor	f	13	

## Mass

Mass bearing		0.37	kg
--------------	--	------	----

**Included products**

---

Snap ring

SP 72