

# 6305-2Z

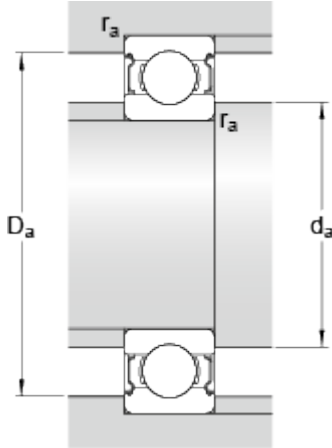
SKF Explorer

## Dimensions



d		25	mm
D		62	mm
B		17	mm
d <sub>1</sub>	≈	36.6	mm
D <sub>2</sub>	≈	52.7	mm
r <sub>1,2</sub>	min.	1.1	mm

## Abutment dimensions



d <sub>a</sub>	min.	32	mm
d <sub>a</sub>	max.	36.5	mm
D <sub>a</sub>	max.	55	mm
r <sub>a</sub>	max.	1	mm

## Calculation data

Basic dynamic load rating	C	23.4	kN
Basic static load rating	C	11.6	kN
Fatigue load limit	P <sub>u</sub>	0.49	kN
Reference speed		24000	r/min
Limiting speed		13000	r/min
Calculation factor	k <sub>r</sub>	0.03	
Calculation factor	f	12	

## Mass

Mass bearing		0.23	kg
--------------	--	------	----