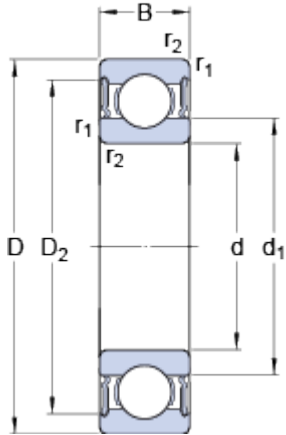


6305-2RS1

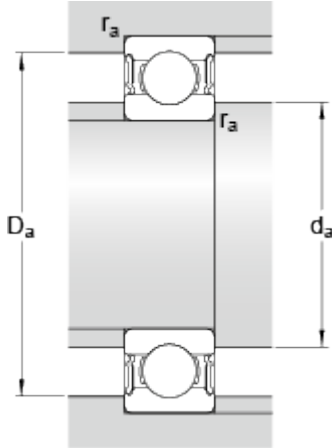
SKF Explorer

Dimensions



d		25	mm
D		62	mm
B		17	mm
d ₁	≈	36.6	mm
D ₂	≈	52.7	mm
r _{1,2}	min.	1.1	mm

Abutment dimensions



d _a	min.	32	mm
d _a	max.	36.5	mm
D _a	max.	55	mm
r _a	max.	1	mm

Calculation data

Basic dynamic load rating	C	23.4	kN
Basic static load rating	C	11.6	kN
Fatigue load limit	P _u	0.49	kN
Limiting speed		7500	r/min
Calculation factor	k _r	0.03	
Calculation factor	f	12	

Mass

Mass bearing		0.23	kg
--------------	--	------	----