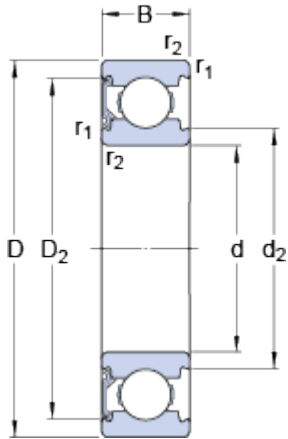


# 6304-RSH

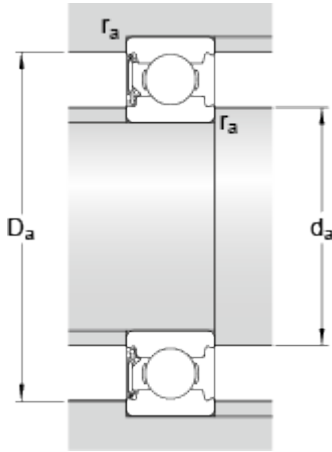
SKF Explorer

## Dimensions



d	20	mm
D	52	mm
B	15	mm
d <sub>2</sub>	≈ 26.9	mm
D <sub>2</sub>	≈ 44.71	mm

## Abutment dimensions



d <sub>a</sub>	min.	27	mm
d <sub>a</sub>	max.	27	mm
D <sub>a</sub>	max.	45	mm
r <sub>a</sub>	max.	1	mm

## Calculation data

Basic dynamic load rating	C	16.8	kN
Basic static load rating	C	7.8	kN
Fatigue load limit	P <sub>u</sub>	0.335	kN
Limiting speed		9500	r/min
Calculation factor	k <sub>r</sub>	0.03	
Calculation factor	f	12	

## Mass

Mass bearing	0.14	kg
--------------	------	----