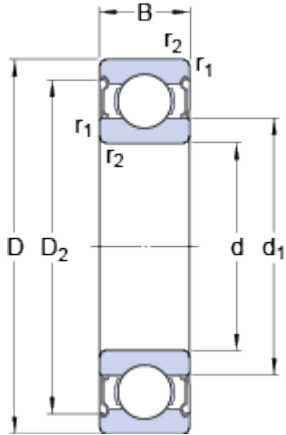


6303-2Z

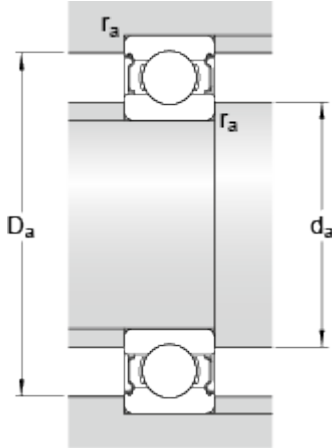
SKF Explorer

Dimensions



d		17	mm
D		47	mm
B		14	mm
d ₁	≈	26.52	mm
D ₂	≈	39.58	mm
r _{1,2}	min.	1	mm

Abutment dimensions



d _a	min.	22.6	mm
d _a	max.	26.4	mm
D _a	max.	41.4	mm
r _a	max.	1	mm

Calculation data

Basic dynamic load rating	C	14.3	kN
Basic static load rating	C	6.55	kN
Fatigue load limit	P _u	0.275	kN
Reference speed		34000	r/min
Limiting speed		17000	r/min
Calculation factor	k _r	0.03	
Calculation factor	f	12	

Mass

Mass bearing		0.12	kg
--------------	--	------	----