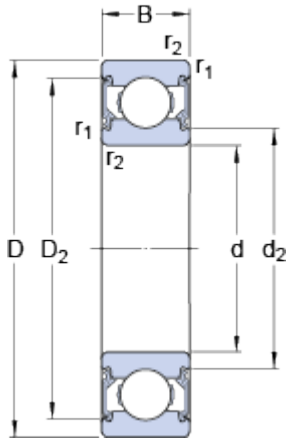


6302-2RSH

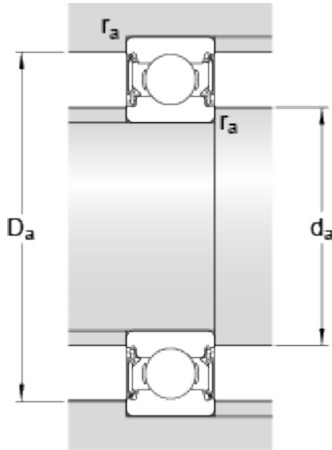
SKF Explorer

Dimensions



d		15	mm
D		42	mm
B		13	mm
d ₂	≈	20.65	mm
D ₂	≈	36.23	mm
r _{1,2}	min.	1	mm

Abutment dimensions



d _a	min.	20.6	mm
d _a	max.	21	mm
D _a	max.	36.4	mm
r _a	max.	1	mm

Calculation data

Basic dynamic load rating	C	11.9	kN
Basic static load rating	C	5.4	kN
Fatigue load limit	P _u	0.228	kN
Limiting speed		12000	r/min
Calculation factor	k _r	0.03	
Calculation factor	f	12	

Mass

Mass bearing		0.085	kg
--------------	--	-------	----