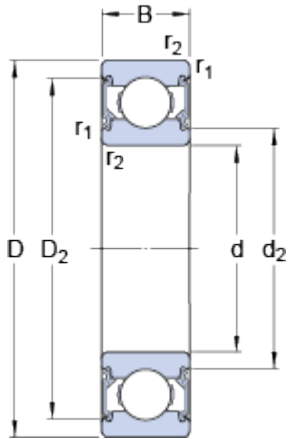


6301-2RSH

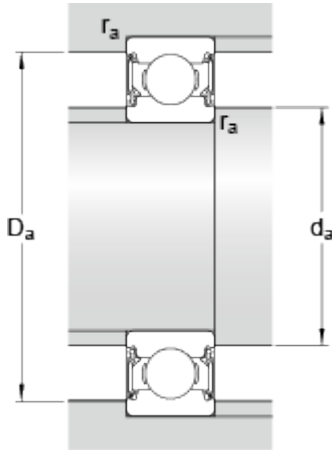
SKF Explorer

Dimensions



d		12	mm
D		37	mm
B		12	mm
d ₂	≈	17.5	mm
D ₂	≈	31.48	mm
r _{1,2}	min.	1	mm

Abutment dimensions



d _a	min.	17.6	mm
d _a	max.	17.8	mm
D _a	max.	31.4	mm
r _a	max.	1	mm

Calculation data

Basic dynamic load rating	C	10.1	kN
Basic static load rating	C	4.15	kN
Fatigue load limit	P _u	0.176	kN
Limiting speed		14000	r/min
Calculation factor	k _r	0.03	
Calculation factor	f	11	

Mass

Mass bearing		0.062	kg
--------------	--	-------	----