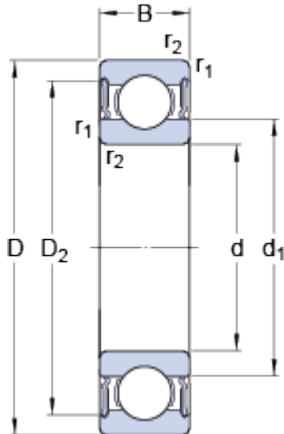


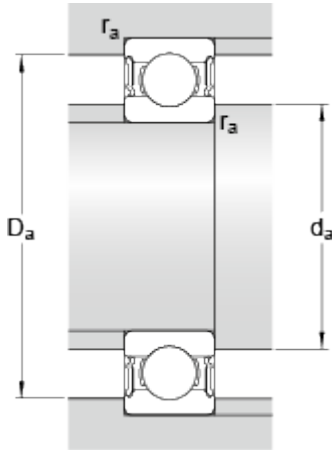
# 63008-2RS1

## Dimensions



d		40	mm
D		68	mm
B		21	mm
d <sub>1</sub>	≈	49.25	mm
D <sub>2</sub>	≈	61.1	mm
r <sub>1,2</sub>	min.	1	mm

## Abutment dimensions



d <sub>a</sub>	min.	44.6	mm
d <sub>a</sub>	max.	49.2	mm
D <sub>a</sub>	max.	63.4	mm
r <sub>a</sub>	max.	1	mm

## Calculation data

Basic dynamic load rating	C	16.8	kN
Basic static load rating	C	11	kN
Fatigue load limit	P <sub>u</sub>	0.49	kN
Limiting speed		6300	r/min
Calculation factor	k <sub>r</sub>	0.025	
Calculation factor	f	15	

## Mass

Mass bearing		0.27	kg
--------------	--	------	----