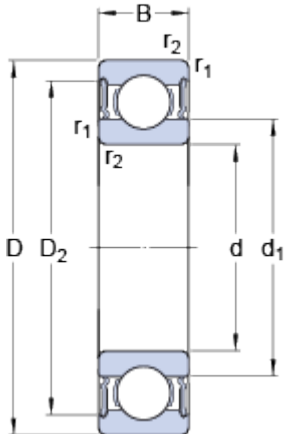


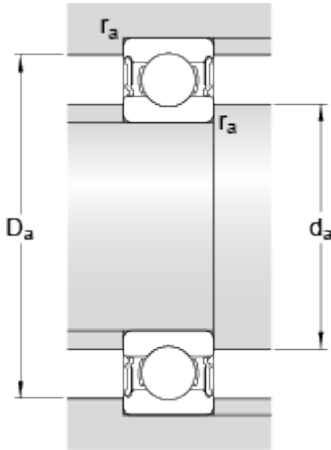
63006-2RS1

Dimensions



d		30	mm
D		55	mm
B		19	mm
d ₁	≈	38.2	mm
D ₂	≈	49	mm
r _{1,2}	min.	1	mm

Abutment dimensions



d _a	min.	34.6	mm
d _a	max.	38.1	mm
D _a	max.	50.4	mm
r _a	max.	1	mm

Calculation data

Basic dynamic load rating	C	13.3	kN
Basic static load rating	C	8.3	kN
Fatigue load limit	P _u	0.355	kN
Limiting speed		8000	r/min
Calculation factor	k _r	0.025	
Calculation factor	f	15	

Mass

Mass bearing		0.17	kg
--------------	--	------	----