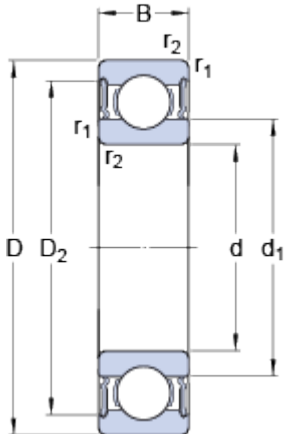


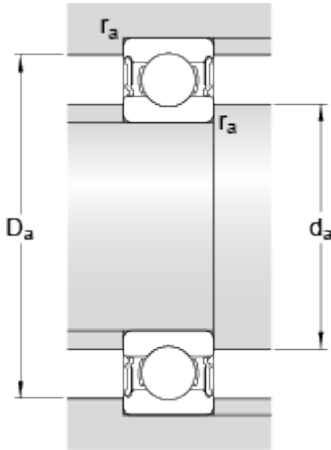
# 63003-2RS1

## Dimensions



d		17	mm
D		35	mm
B		14	mm
d <sub>1</sub>	≈	23	mm
D <sub>2</sub>	≈	31.2	mm
r <sub>1,2</sub>	min.	0.3	mm

## Abutment dimensions



d <sub>a</sub>	min.	19	mm
d <sub>a</sub>	max.	22.9	mm
D <sub>a</sub>	max.	33	mm
r <sub>a</sub>	max.	0.3	mm

## Calculation data

Basic dynamic load rating	C	6.05	kN
Basic static load rating	C	3.25	kN
Fatigue load limit	P <sub>u</sub>	0.137	kN
Limiting speed		13000	r/min
Calculation factor	k <sub>r</sub>	0.025	
Calculation factor	f	14	

## Mass

Mass bearing		0.052	kg
--------------	--	-------	----