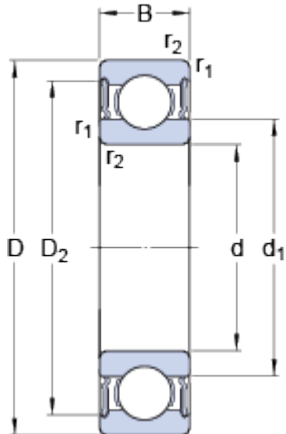


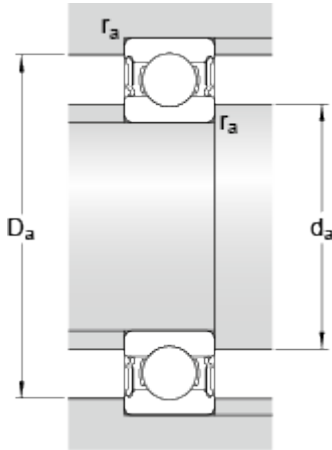
63000-2RS1

Dimensions



d		10	mm
D		26	mm
B		12	mm
d ₁	≈	14.8	mm
D ₂	≈	22.6	mm
r _{1,2}	min.	0.3	mm

Abutment dimensions



d _a	min.	12	mm
d _a	max.	14.7	mm
D _a	max.	24	mm
r _a	max.	0.3	mm

Calculation data

Basic dynamic load rating	C	4.62	kN
Basic static load rating	C	1.96	kN
Fatigue load limit	P _u	0.083	kN
Limiting speed		19000	r/min
Calculation factor	k _r	0.025	
Calculation factor	f	12	

Mass

Mass bearing		0.025	kg
--------------	--	-------	----