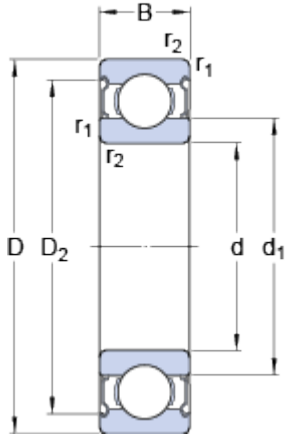


# 629-2Z

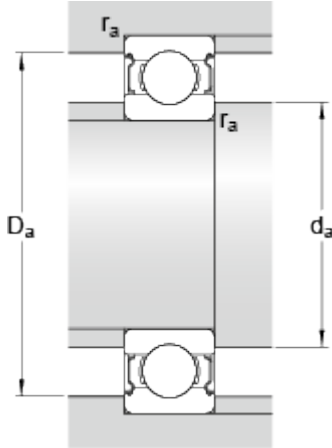
SKF Explorer

## Dimensions



d	9	mm
D	26	mm
B	8	mm
d <sub>1</sub>	≈ 14.8	mm
D <sub>2</sub>	≈ 22.6	mm

## Abutment dimensions



d <sub>a</sub>	min.	11.4	mm
d <sub>a</sub>	max.	14.7	mm
D <sub>a</sub>	max.	23.6	mm
r <sub>a</sub>	max.	0.3	mm

## Calculation data

Basic dynamic load rating	C	4.75	kN
Basic static load rating	C	1.96	kN
Fatigue load limit	P <sub>u</sub>	0.083	kN
Reference speed		60000	r/min
Limiting speed		30000	r/min
Calculation factor	k <sub>r</sub>	0.025	
Calculation factor	f	12	

## Mass

Mass bearing		0.021	kg
--------------	--	-------	----