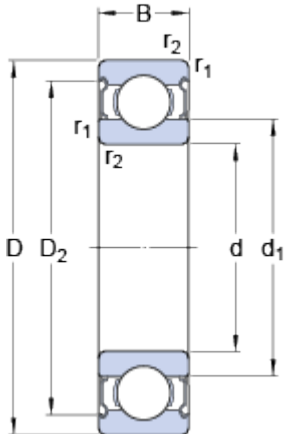


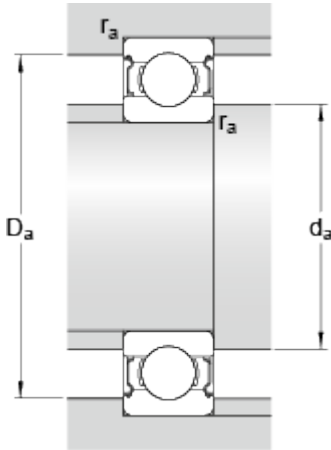
624-2Z

Dimensions



d		4	mm
D		13	mm
B		5	mm
d ₁	≈	6.7	mm
D ₂	≈	11.2	mm
r _{1,2}	min.	0.2	mm

Abutment dimensions



d _a	min.	5.8	mm
d _a	max.	6.6	mm
D _a	max.	11.2	mm
r _a	max.	0.2	mm

Calculation data

Basic dynamic load rating	C	0.936	kN
Basic static load rating	C	0.29	kN
Fatigue load limit	P _u	0.012	kN
Reference speed		110000	r/min
Limiting speed		53000	r/min
Calculation factor	k _r	0.025	
Calculation factor	f	7.3	

Mass

Mass bearing		0.0031	kg
--------------	--	--------	----