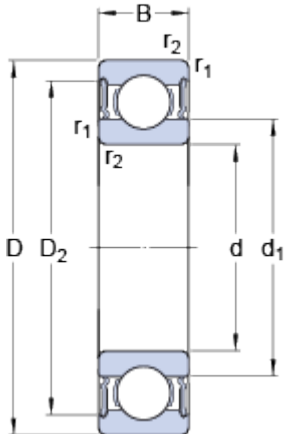


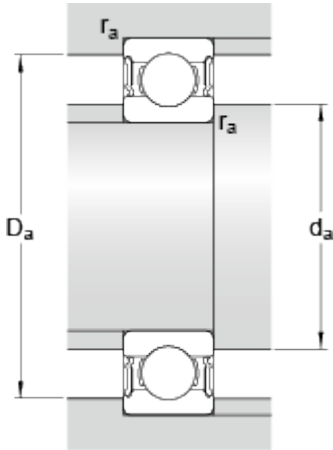
62314-2RS1

Dimensions



d		70	mm
D		150	mm
B		51	mm
d ₁	≈	94.95	mm
D ₂	≈	129.9	mm
r _{1,2}	min.	2.1	mm

Abutment dimensions



d _a	min.	82	mm
d _a	max.	94.9	mm
D _a	max.	138	mm
r _a	max.	2	mm

Calculation data

Basic dynamic load rating	C	104	kN
Basic static load rating	C	68	kN
Fatigue load limit	P _u	2.75	kN
Limiting speed		3000	r/min
Calculation factor	k _r	0.03	
Calculation factor	f	13.2	

Mass

Mass bearing		3.73	kg
--------------	--	------	----