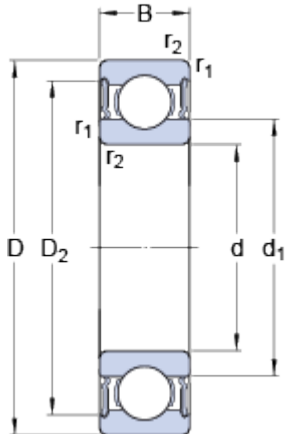


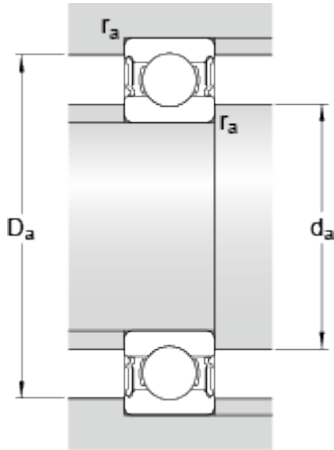
# 62312-2RS1

## Dimensions



d		60	mm
D		130	mm
B		46	mm
d <sub>1</sub>	≈	81.86	mm
D <sub>2</sub>	≈	112.2	mm
r <sub>1,2</sub>	min.	2.1	mm

## Abutment dimensions



d <sub>a</sub>	min.	72	mm
d <sub>a</sub>	max.	81.8	mm
D <sub>a</sub>	max.	118	mm
r <sub>a</sub>	max.	2	mm

## Calculation data

Basic dynamic load rating	C	81.9	kN
Basic static load rating	C	52	kN
Fatigue load limit	P <sub>u</sub>	2.2	kN
Limiting speed		3400	r/min
Calculation factor	k <sub>r</sub>	0.03	
Calculation factor	f	13.1	

## Mass

Mass bearing		2.56	kg
--------------	--	------	----