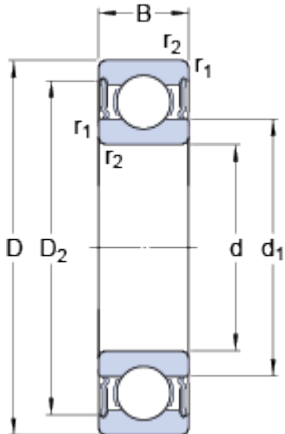


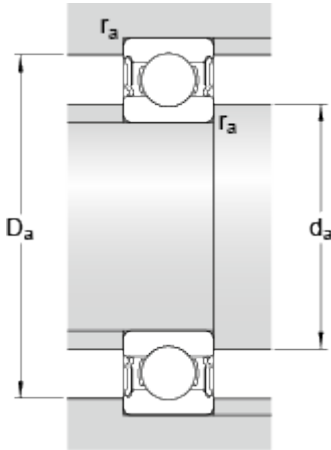
62309-2RS1

Dimensions



d		45	mm
D		100	mm
B		36	mm
d ₁	≈	62.18	mm
D ₂	≈	86.7	mm
r _{1,2}	min.	1.5	mm

Abutment dimensions



d _a	min.	54	mm
d _a	max.	62.1	mm
D _a	max.	91	mm
r _a	max.	1.5	mm

Calculation data

Basic dynamic load rating	C	52.7	kN
Basic static load rating	C	31.5	kN
Fatigue load limit	P _u	1.34	kN
Limiting speed		4500	r/min
Calculation factor	k _r	0.03	
Calculation factor	f	13	

Mass

Mass bearing		1.21	kg
--------------	--	------	----