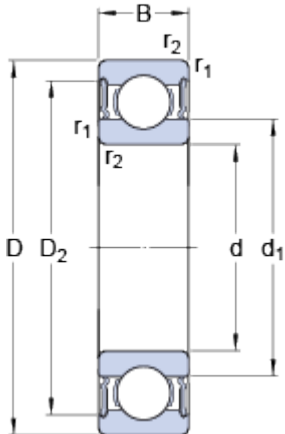


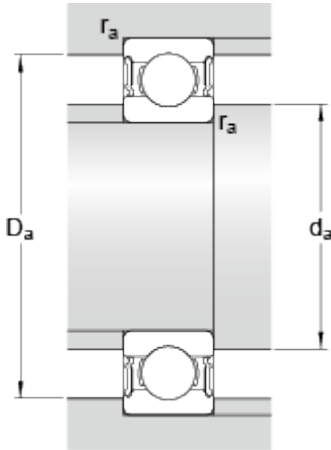
62308-2RS1

Dimensions



| | | | |
|------------------|------|-------|----|
| d | | 40 | mm |
| D | | 90 | mm |
| B | | 33 | mm |
| d ₁ | ≈ | 56.11 | mm |
| D ₂ | ≈ | 77.7 | mm |
| r _{1,2} | min. | 1.5 | mm |

Abutment dimensions



| | | | |
|----------------|------|-----|----|
| d _a | min. | 49 | mm |
| d _a | max. | 56 | mm |
| D _a | max. | 81 | mm |
| r _a | max. | 1.5 | mm |

Calculation data

| | | | |
|---------------------------|----------------|------|-------|
| Basic dynamic load rating | C | 41 | kN |
| Basic static load rating | C | 24 | kN |
| Fatigue load limit | P _u | 1.02 | kN |
| Limiting speed | | 5000 | r/min |
| Calculation factor | k _r | 0.03 | |
| Calculation factor | f | 13.2 | |

Mass

| | | | |
|--------------|--|------|----|
| Mass bearing | | 0.92 | kg |
|--------------|--|------|----|