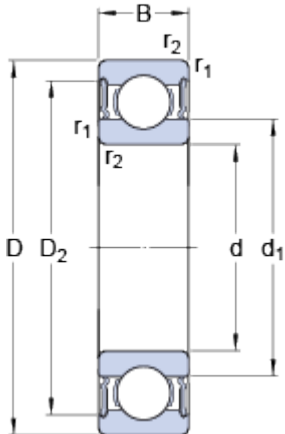


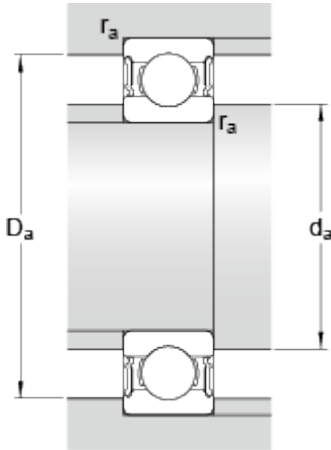
62306-2RS1

Dimensions



d		30	mm
D		72	mm
B		27	mm
d ₁	≈	44.6	mm
D ₂	≈	61.88	mm
r _{1,2}	min.	1.1	mm

Abutment dimensions



d _a	min.	37	mm
d _a	max.	44.5	mm
D _a	max.	65	mm
r _a	max.	1	mm

Calculation data

Basic dynamic load rating	C	28.1	kN
Basic static load rating	C	16	kN
Fatigue load limit	P _u	0.67	kN
Limiting speed		6300	r/min
Calculation factor	k _r	0.03	
Calculation factor	f	13.1	

Mass

Mass bearing		0.5	kg
--------------	--	-----	----