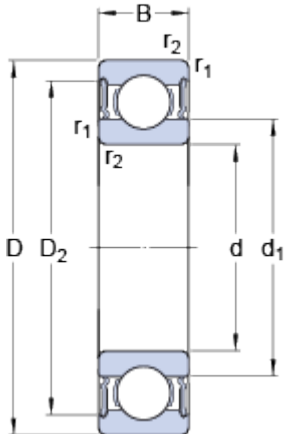


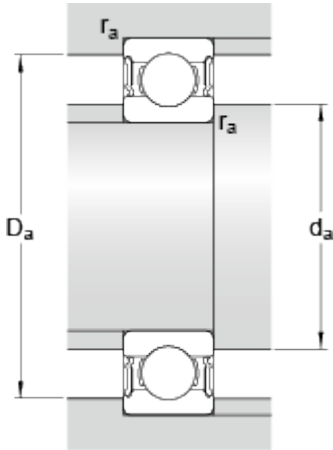
# 62304-2RS1

## Dimensions



d		20	mm
D		52	mm
B		21	mm
d <sub>1</sub>	≈	30.35	mm
D <sub>2</sub>	≈	44.71	mm
r <sub>1,2</sub>	min.	1.1	mm

## Abutment dimensions



d <sub>a</sub>	min.	27	mm
d <sub>a</sub>	max.	30.3	mm
D <sub>a</sub>	max.	45	mm
r <sub>a</sub>	max.	1	mm

## Calculation data

Basic dynamic load rating	C	15.9	kN
Basic static load rating	C	7.8	kN
Fatigue load limit	P <sub>u</sub>	0.335	kN
Limiting speed		9500	r/min
Calculation factor	k <sub>r</sub>	0.03	
Calculation factor	f	12	

## Mass

Mass bearing		0.21	kg
--------------	--	------	----