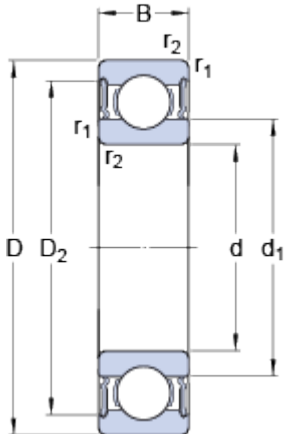


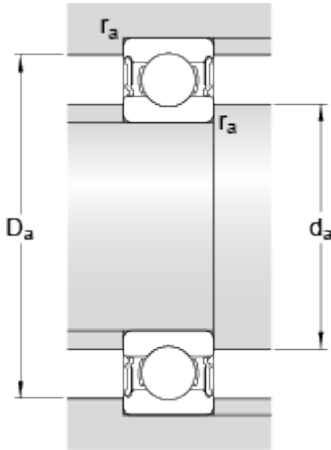
62301-2RS1

Dimensions



d		12	mm
D		37	mm
B		17	mm
d ₁	≈	19.5	mm
D ₂	≈	31.48	mm
r _{1,2}	min.	1	mm

Abutment dimensions



d _a	min.	17.6	mm
d _a	max.	19.4	mm
D _a	max.	31.4	mm
r _a	max.	1	mm

Calculation data

Basic dynamic load rating	C	9.75	kN
Basic static load rating	C	4.15	kN
Fatigue load limit	P _u	0.176	kN
Limiting speed		14000	r/min
Calculation factor	k _r	0.03	
Calculation factor	f	11	

Mass

Mass bearing		0.07	kg
--------------	--	------	----