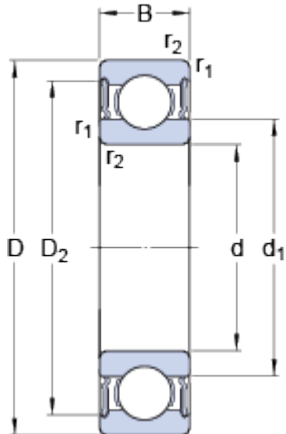


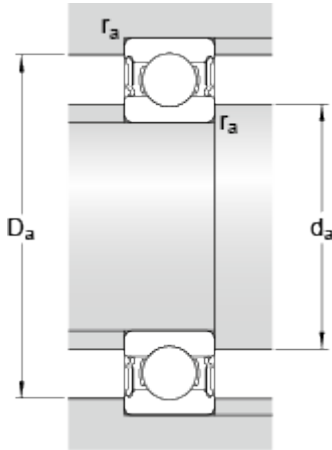
62210-2RS1

Dimensions



d		50	mm
D		90	mm
B		23	mm
d ₁	≈	62.51	mm
D ₂	≈	81.61	mm
r _{1,2}	min.	1.1	mm

Abutment dimensions



d _a	min.	57	mm
d _a	max.	62.4	mm
D _a	max.	83	mm
r _a	max.	1	mm

Calculation data

Basic dynamic load rating	C	35.1	kN
Basic static load rating	C	23.2	kN
Fatigue load limit	P _u	0.98	kN
Limiting speed		4800	r/min
Calculation factor	k _r	0.025	
Calculation factor	f	14.4	

Mass

Mass bearing		0.54	kg
--------------	--	------	----