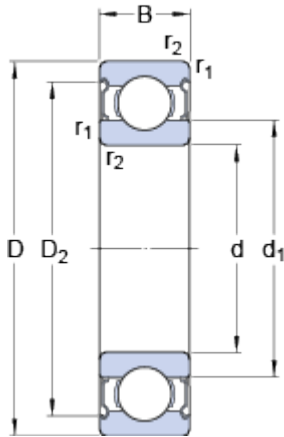


6220-2Z

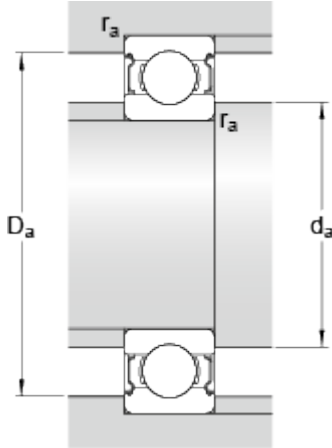
SKF Explorer

Dimensions



d		100	mm
D		180	mm
B		34	mm
d ₁	≈	124.8	mm
D ₂	≈	159.9	mm
r _{1,2}	min.	2.1	mm

Abutment dimensions



d _a	min.	112	mm
d _a	max.	124	mm
D _a	max.	168	mm
r _a	max.	2	mm

Calculation data

Basic dynamic load rating	C	127	kN
Basic static load rating	C	93	kN
Fatigue load limit	P _u	3.35	kN
Reference speed		7500	r/min
Limiting speed		3800	r/min
Calculation factor	k _r	0.025	
Calculation factor	f	14.4	

Mass

Mass bearing		3.28	kg
--------------	--	------	----