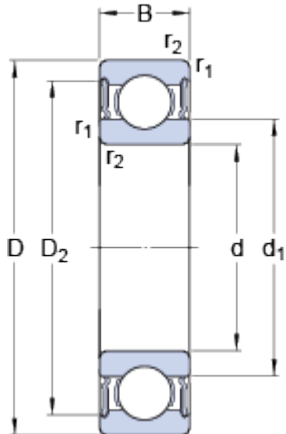


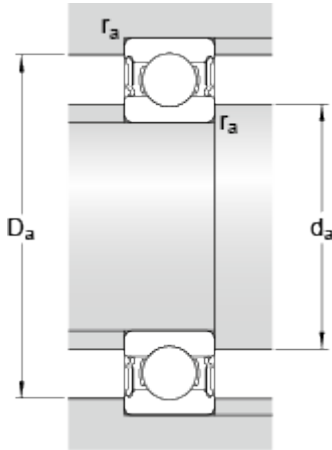
# 62205-2RS1

## Dimensions



d		25	mm
D		52	mm
B		18	mm
d <sub>1</sub>	≈	34.35	mm
D <sub>2</sub>	≈	46.21	mm
r <sub>1,2</sub>	min.	1	mm

## Abutment dimensions



d <sub>a</sub>	min.	30.6	mm
d <sub>a</sub>	max.	34.3	mm
D <sub>a</sub>	max.	46.4	mm
r <sub>a</sub>	max.	1	mm

## Calculation data

Basic dynamic load rating	C	14	kN
Basic static load rating	C	7.8	kN
Fatigue load limit	P <sub>u</sub>	0.335	kN
Limiting speed		8500	r/min
Calculation factor	k <sub>r</sub>	0.025	
Calculation factor	f	14	

## Mass

Mass bearing		0.13	kg
--------------	--	------	----