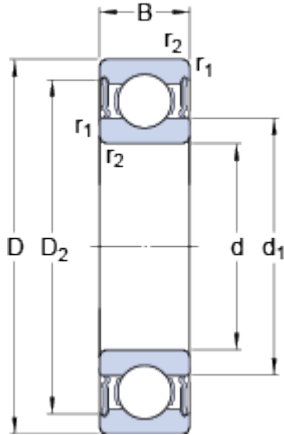


6218-2RS1

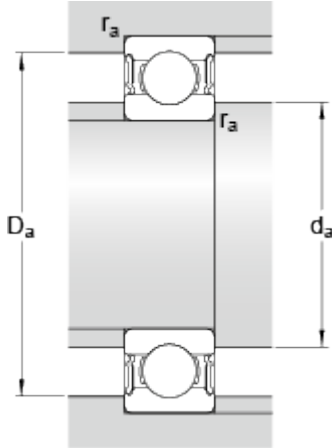
SKF Explorer

Dimensions



d		90	mm
D		160	mm
B		30	mm
d ₁	≈	112.5	mm
D ₂	≈	142.6	mm
r _{1,2}	min.	2	mm

Abutment dimensions



d _a	min.	101	mm
d _a	max.	112	mm
D _a	max.	149	mm
r _a	max.	2	mm

Calculation data

Basic dynamic load rating	C	101	kN
Basic static load rating	C	73.5	kN
Fatigue load limit	P _u	2.8	kN
Limiting speed		2600	r/min
Calculation factor	k _r	0.025	
Calculation factor	f	14.7	

Mass

Mass bearing		2.31	kg
--------------	--	------	----