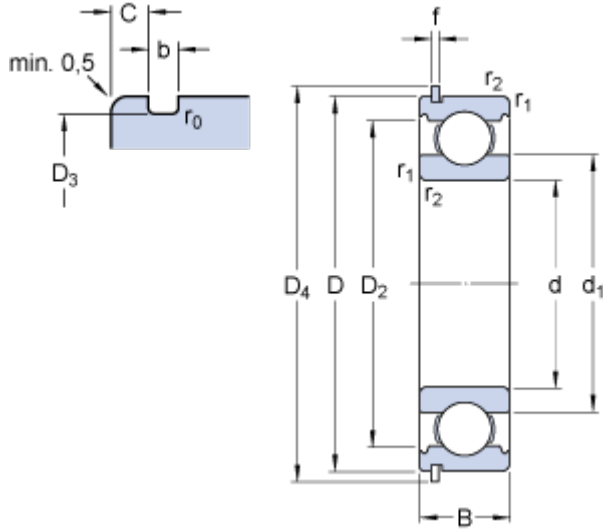


6215 NR

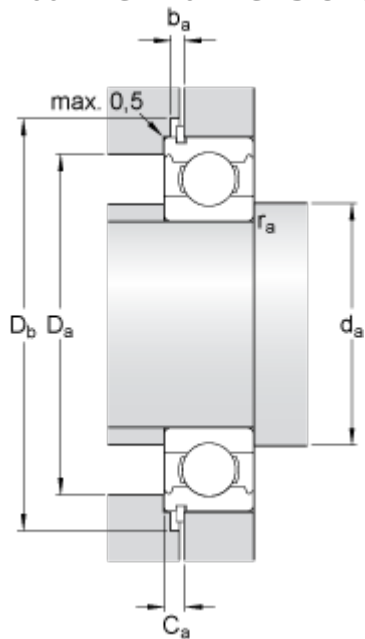
SKF Explorer

Dimensions



d	75	mm
D	130	mm
B	25	mm
d ₁	≈ 92.05	mm
D ₂	≈ 116.5	mm
D ₃	125.22	mm
D ₄	139.7	mm
b	3.1	mm
C	4.06	mm
f	2.82	mm
r	max. 0.6	mm
r _{1,2}	min. 1.5	mm

Abutment dimensions



d _a	min. 84	mm
D _a	max. 121	mm
D _b	min. 141	mm
b _a	min. 3.5	mm
C _a	max. 6.88	mm
r _a	max. 1.5	mm

Calculation data

Basic dynamic load rating	C	68.9	kN
Basic static load rating	C	49	kN
Fatigue load limit	P _u	2.04	kN
Reference speed		10000	r/min
Limiting speed		6700	r/min
Calculation factor	k _r	0.025	
Calculation factor	f	15	

Mass

Mass bearing	1.23	kg
--------------	------	----

Included products

Snap ring

SP 130