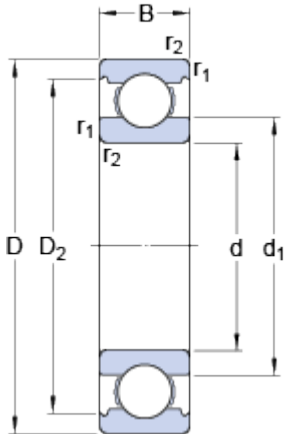


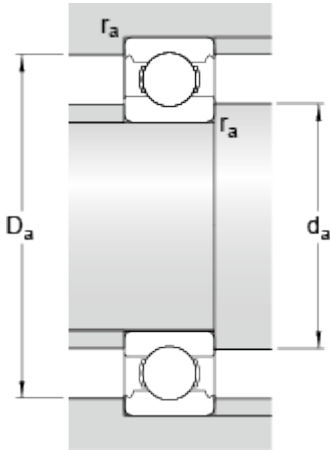
6215

Dimensions



d		75	mm
D		130	mm
B		25	mm
d ₁	≈	92.05	mm
D ₂	≈	116.5	mm
r _{1,2}	min.	1.5	mm

Abutment dimensions



d _a	min.	84	mm
D _a	max.	121	mm
r _a	max.	1.5	mm

Calculation data

Basic dynamic load rating	C	68.9	kN
Basic static load rating	C	49	kN
Fatigue load limit	P _u	2.04	kN
Reference speed		10000	r/min
Limiting speed		6700	r/min
Calculation factor	k _r	0.025	
Calculation factor	f	14.7	

Mass

Mass bearing		1.19	kg
--------------	--	------	----