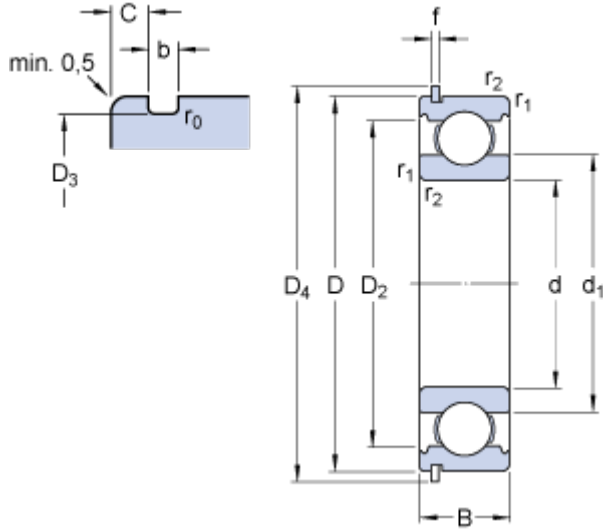


6213 NR

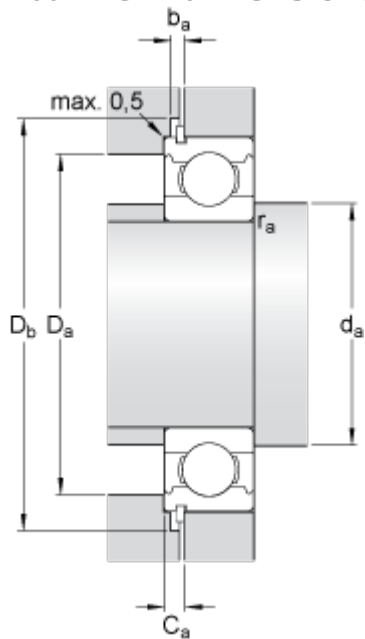
SKF Explorer

Dimensions



d	65	mm
D	120	mm
B	23	mm
d ₁	≈ 83.3	mm
D ₂	≈ 105.8	mm
D ₃	115.21	mm
D ₄	129.7	mm
b	3.1	mm
C	4.06	mm
f	2.82	mm
r	max. 0.6	mm
r _{1,2}	min. 1.5	mm

Abutment dimensions



d _a	min. 74	mm
D _a	max. 111	mm
D _b	min. 131	mm
b _a	min. 3.5	mm
C _a	max. 6.88	mm
r _a	max. 1.5	mm

Calculation data

Basic dynamic load rating	C	58.5	kN
Basic static load rating	C	40.5	kN
Fatigue load limit	P _u	1.73	kN
Reference speed		12000	r/min
Limiting speed		7500	r/min
Calculation factor	k _r	0.025	
Calculation factor	f	15	

Mass

Mass bearing		1.06	kg
--------------	--	------	----

Included products

Snap ring

SP 120