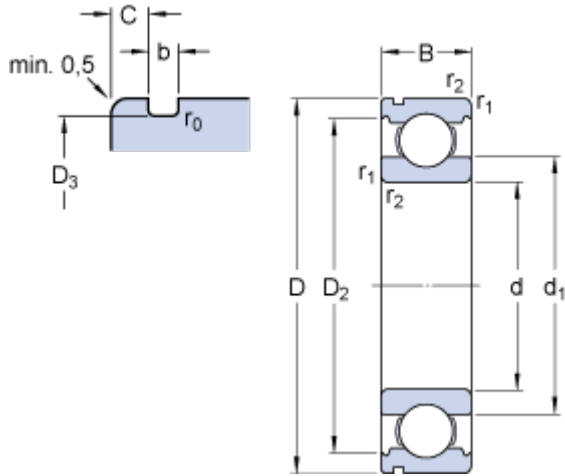


6212 N

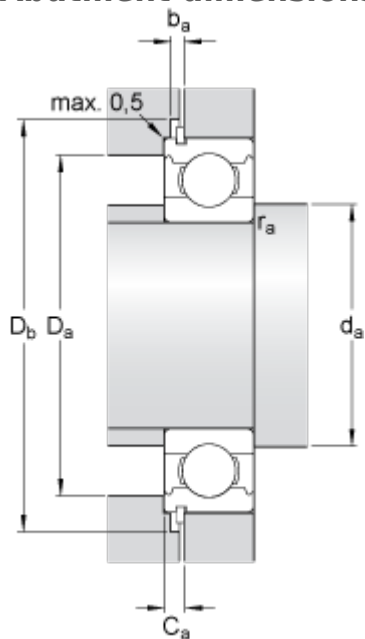
SKF Explorer

Dimensions



d		60	mm
D		110	mm
B		22	mm
d ₁	≈	75.5	mm
D ₂	≈	98	mm
D ₃		106.81	mm
b		2.7	mm
C		3.28	mm
r	max.	0.6	mm
r _{1,2}	min.	1.5	mm

Abutment dimensions



d _a	min.	69	mm
D _a	max.	101	mm
D _b	min.	118	mm
b _a	min.	3	mm
C _a	max.	5.74	mm
r _a	max.	1.5	mm

Calculation data

Basic dynamic load rating	C	55.3	kN
Basic static load rating	C	36	kN
Fatigue load limit	P _u	1.53	kN
Reference speed		13000	r/min
Limiting speed		8000	r/min
Calculation factor	k _r	0.025	
Calculation factor	f	14.3	

Mass

Mass bearing		0.8	kg
--------------	--	-----	----

