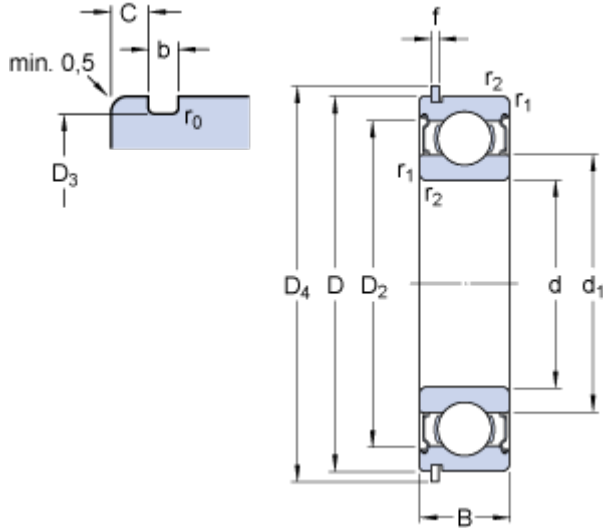


6212-2ZNR

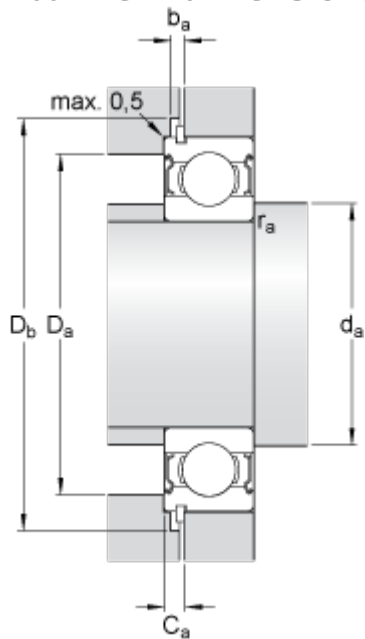
SKF Explorer

Dimensions



d	60	mm
D	110	mm
B	22	mm
d ₁	≈ 75.5	mm
D ₂	≈ 98	mm
D ₃	106.81	mm
D ₄	116.6	mm
b	2.7	mm
C	3.28	mm
f	2.46	mm
r	max. 0.6	mm
r _{1,2}	min. 1.5	mm

Abutment dimensions



d _a	min. 69	mm
d _a	max. 75.4	mm
D _a	max. 101	mm
D _b	min. 118	mm
b _a	min. 3	mm
C _a	max. 5.74	mm
r _a	max. 1.5	mm

Calculation data

Basic dynamic load rating	C	55.3	kN
Basic static load rating	C	36	kN
Fatigue load limit	P _u	1.53	kN
Reference speed		13000	r/min
Limiting speed		6300	r/min
Calculation factor	k _r	0.025	
Calculation factor	f	14	

Mass

Mass bearing		0.83	kg
--------------	--	------	----

Included products

Snap ring

SP 110