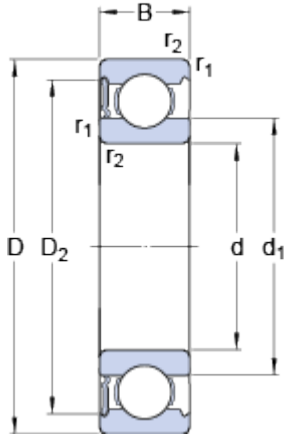


6211-RS1

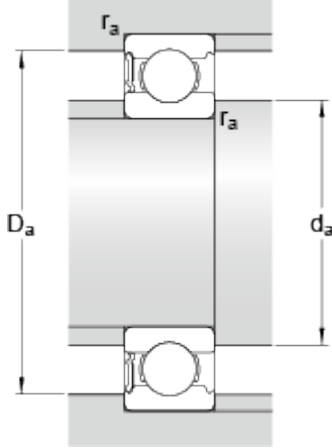
SKF Explorer

Dimensions



d		55	mm
D		100	mm
B		21	mm
d ₁	≈	69.06	mm
D ₂	≈	89.4	mm
r _{1,2}	min.	1.5	mm

Abutment dimensions



d _a	min.	64	mm
d _a	max.	69	mm
D _a	max.	91	mm
r _a	max.	1.5	mm

Calculation data

Basic dynamic load rating	C	46.2	kN
Basic static load rating	C	29	kN
Fatigue load limit	P _u	1.25	kN
Limiting speed		4300	r/min
Calculation factor	k _r	0.025	
Calculation factor	f	14.3	

Mass

Mass bearing		0.62	kg
--------------	--	------	----