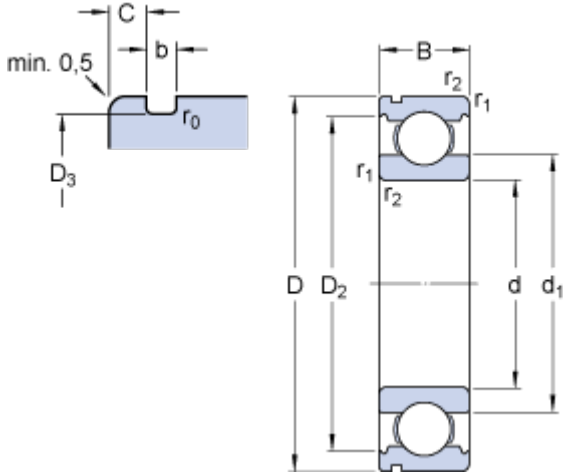


# 6211 N

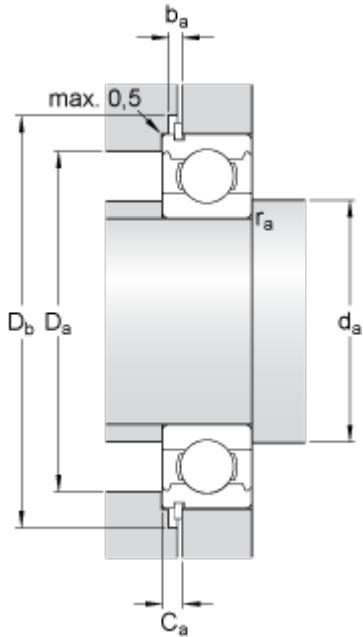
SKF Explorer

## Dimensions



d		55	mm
D		100	mm
B		21	mm
d <sub>1</sub>	≈	69.06	mm
D <sub>2</sub>	≈	89.4	mm
D <sub>3</sub>		96.8	mm
b		2.7	mm
C		3.28	mm
r	max.	0.6	mm
r <sub>1,2</sub>	min.	1.5	mm

## Abutment dimensions



d <sub>a</sub>	min.	64	mm
D <sub>a</sub>	max.	91	mm
D <sub>b</sub>	min.	108	mm
b <sub>a</sub>	min.	3	mm
C <sub>a</sub>	max.	5.74	mm
r <sub>a</sub>	max.	1.5	mm

## Calculation data

Basic dynamic load rating	C	46.2	kN
Basic static load rating	C	29	kN
Fatigue load limit	P <sub>u</sub>	1.25	kN
Reference speed		14000	r/min
Limiting speed		9000	r/min
Calculation factor	k <sub>r</sub>	0.025	
Calculation factor	f	14.3	

## Mass

Mass bearing		0.6	kg
--------------	--	-----	----

