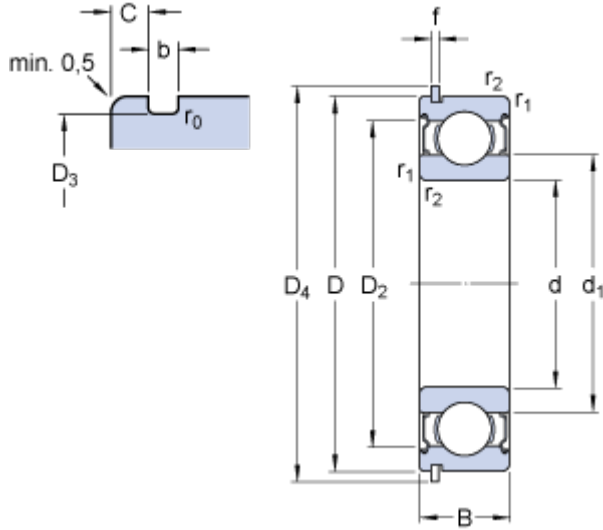


# 6210-2ZNR

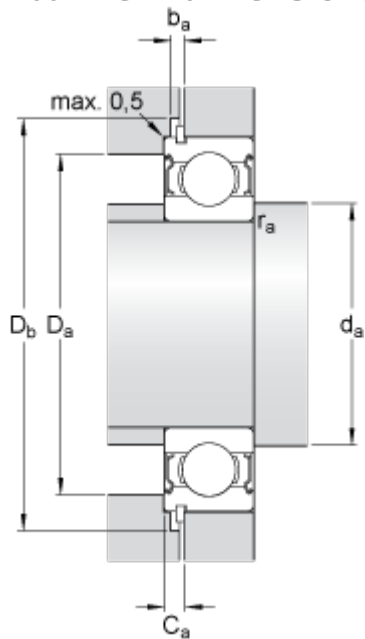
SKF Explorer

## Dimensions



d		50	mm
D		90	mm
B		20	mm
d <sub>1</sub>	≈	62.51	mm
D <sub>2</sub>	≈	81.61	mm
D <sub>3</sub>		86.79	mm
D <sub>4</sub>		96.5	mm
b		2.7	mm
C		3.28	mm
f		2.46	mm
r	max.	0.6	mm
r <sub>1,2</sub>	min.	1.1	mm

## Abutment dimensions



d <sub>a</sub>	min.	57	mm
d <sub>a</sub>	max.	62.4	mm
D <sub>a</sub>	max.	83	mm
D <sub>b</sub>	min.	98	mm
b <sub>a</sub>	min.	3	mm
C <sub>a</sub>	max.	5.74	mm
r <sub>a</sub>	max.	1	mm

## Calculation data

Basic dynamic load rating	C	37.1	kN
Basic static load rating	C	23.2	kN
Fatigue load limit	P <sub>u</sub>	0.98	kN
Reference speed		15000	r/min
Limiting speed		8000	r/min
Calculation factor	k <sub>r</sub>	0.025	
Calculation factor	f	14	

## Mass

Mass bearing		0.49	kg
--------------	--	------	----

## Included products

---

Snap ring

SP 90