

# 6209-2Z

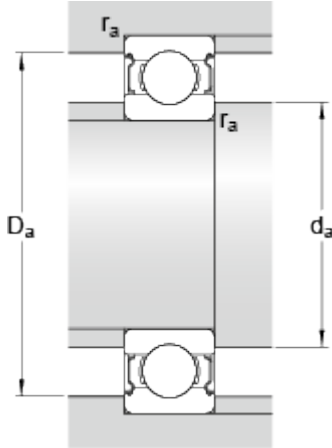
SKF Explorer

## Dimensions



d		45	mm
D		85	mm
B		19	mm
d <sub>1</sub>	≈	57.6	mm
D <sub>2</sub>	≈	75.19	mm
r <sub>1,2</sub>	min.	1.1	mm

## Abutment dimensions



d <sub>a</sub>	min.	52	mm
d <sub>a</sub>	max.	57.5	mm
D <sub>a</sub>	max.	78	mm
r <sub>a</sub>	max.	1	mm

## Calculation data

Basic dynamic load rating	C	35.1	kN
Basic static load rating	C	21.6	kN
Fatigue load limit	P <sub>u</sub>	0.92	kN
Reference speed		17000	r/min
Limiting speed		8500	r/min
Calculation factor	k <sub>r</sub>	0.025	
Calculation factor	f	14.2	

## Mass

Mass bearing		0.43	kg
--------------	--	------	----